



MICRO-UFL MU032 Series

Ultra Thin Low Loss Cable Assemblies, SMA-U.FL 6GHz

Features

- EM-MU032 Series
- 0.032in./0.81mm FEP Outer Jacket, Black
- Ultra Thin Series Low Loss
- Bulkhead SMA with hex nut and washer
- U.FL Connectors
- Compatible with MHF, AMC, UMCC
- Cellular IoT, LTE-M, NB-IoT, GNSS-GPS, Wi-Fi, Bluetooth



ELECTRICAL SPECIFICATION (25° C, sea level)

Description	Min	Typ	Max	Units/Note
Impedance		50		Ω
Frequency	DC		6	GHz
Insertion Loss			1.5dB	@6GHz
VSWR			1.8:1	@6GHz
Insulation Resistance	500			MΩ
Temperature	-55		125	° C

Performance by Frequency, (25° C) 6.0in./150mm Assy

Frequency (MHz)	Insertion Loss(dB) Typical	Return Loss(dB/VSWR) Typical
1000	0.5	29.4/1.07
2000	0.66	23.1/1.15
3000	0.81	18.5/1.27
4000	0.96	15.4/1.41
5000	1.12	12.7/1.60
6000	1.27	10.9/1.80

MECHANICAL SPECIFICATION, CONNECTORS

Description	Connector 1	Connector 2
Type	SMA	U.FL
Mating Cycles	500	30
Mating Torque	8-10in-lbs/0.9-1.13nm	N/A
Material	Gold plated brass	Gold plated brass
Fastening Type	1/4-36 threaded coupling, 60lbs min.	Snap on coupling

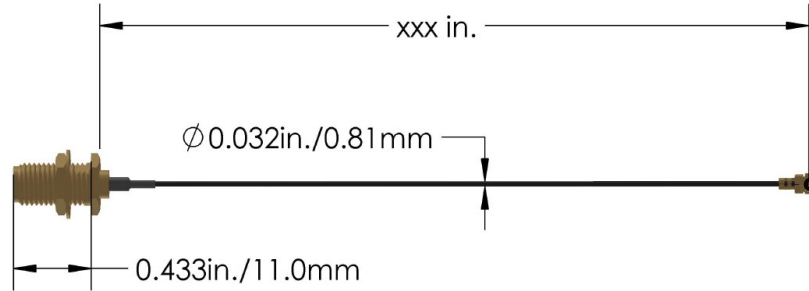
Contact us:
 sales@echelon-mw.com
www.echelon-mw.com
 770.742.8847



MICRO-UFL MU032 Series

Ultra Thin Low Loss Cable Assemblies, SMA-U.FL 6GHz

Ordering Information



Connector Options:
SMA
U.FL

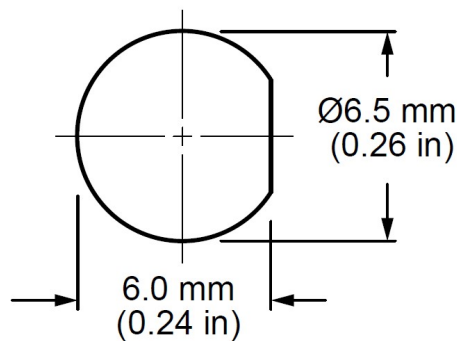
Part Number Configurator			
Series, SMPM	Connector 1	Connector 2	Length (in)
EM-MU032	XXX	XXX	-XXX

Connector 1	
SMA(F), Straight, Bulkhead	SFB
SMA(M), Straight	SMS

Connector 2	
U.FL, female	UFL

Example:

EM-MU032SFBUFL-006, 6 inch cable with straight SMA(F) bulkhead to U.FL cable.



Recommended Mounting Hole Dimensions for Bulkhead SMA Connector

Contact us:
sales@echelon-mw.com
www.echelon-mw.com
770.742.8847